

EQUIP. TYPE R390A/URR EXP. NO. _____

COL. 139 0021 00

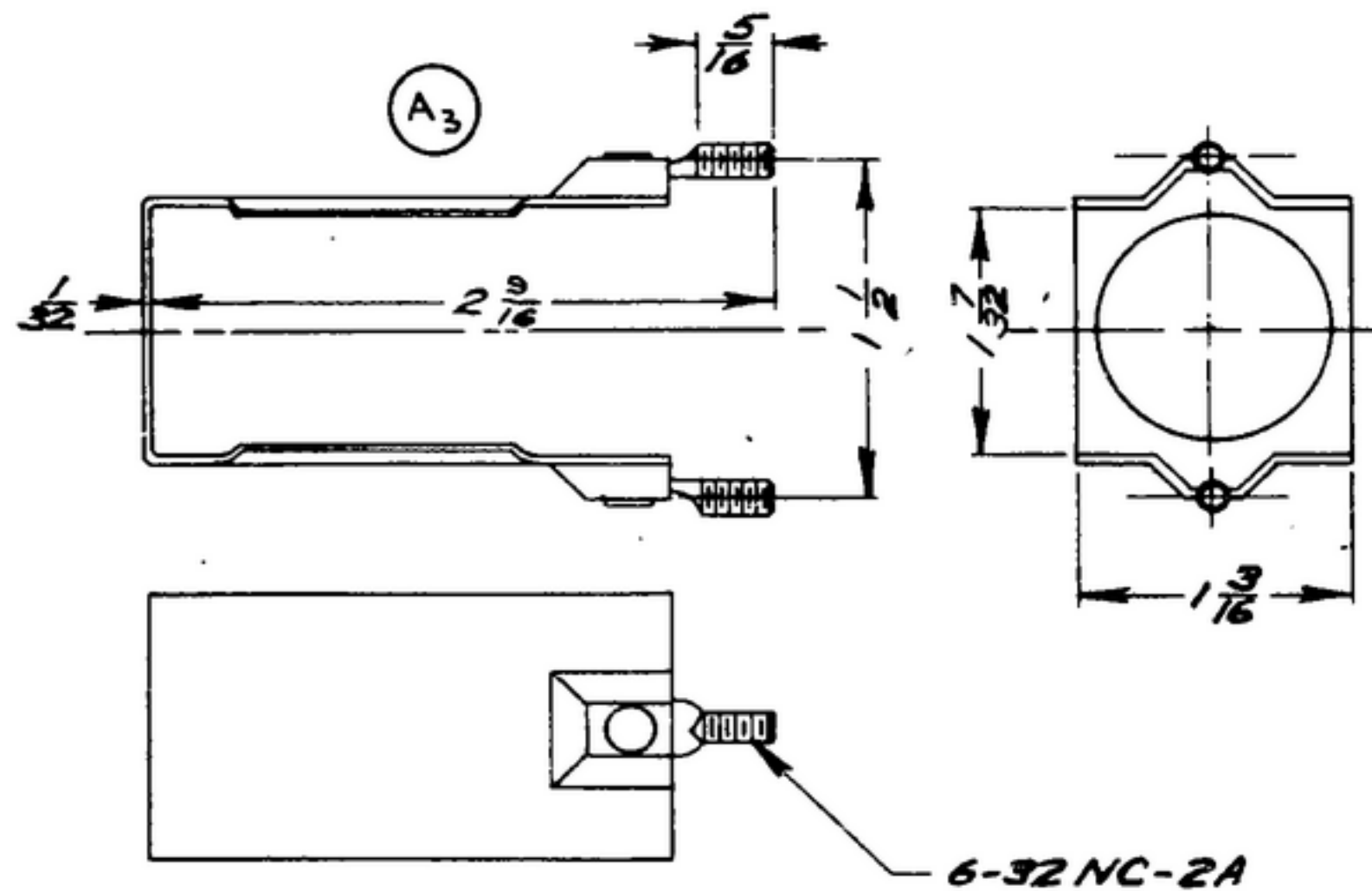
NOTICE: WHEN GOVERNMENT DRAWINGS, SPECIFICATIONS, OR OTHER DATA ARE USED FOR ANY PURPOSE OTHER THAN IN CONNECTION WITH A DEFINITELY RELATED GOVERNMENT PROCUREMENT OPERATION, THE UNITED STATES GOVERNMENT THEREBY INCURS NO RESPONSIBILITY NOR ANY OBLIGATION WHATSOEVER; AND THE FACT THAT THE GOVERNMENT MAY HAVE FORMULATED, FURNISHED, OR IN ANY WAY SUPPLIED THE SAID DRAWINGS, SPECIFICATIONS, OR OTHER DATA IS NOT TO BE REGARDED BY IMPLICATION OR OTHERWISE AS IN ANY MANNER LICENSING THE HOLDER OR ANY OTHER PERSON OR CORPORATION, OR CONVEYING ANY RIGHTS OR PERMISSION TO MANUFACTURE, USE, OR SELL ANY PATENTED INVENTION THAT MAY IN ANY WAY BE RELATED THERETO.

THIS DOCUMENT HAS BEEN PURCHASED BY THE GOVERNMENT AND MAY BE REPRODUCED AND USED IN CONNECTION WITH ANY GOVERNMENT PROCUREMENT OR MAINTENANCE OPERATION.

* FOR INFORMATION ONLY, CONTRACTOR MAY AT HIS OPTION DEVIATE FROM THESE PROCESS DETAILS.

~~RSWS APPROVAL~~
SYM PR10042-9

REVISIONS			
SYM	DESCRIPTION	DATE	APPROVAL
A ₃	A ₁ M 217A WAS M 262 A ₂ ADDED APPL SM-D-343620 A ₃ 2 7/16 WAS 2 5/8	4 NOV 59	42423-PC 59-A1-S1 REV'D PME



NOTES
1. PART MAY BE #150646-02, AS SUPPLIED BY SANGAMO ELECTRIC CO., MARION, ILLINOIS, OR EQUAL, PROVIDING IT MEETS THE FOLLOWING REQUIREMENTS AND DIMENSIONS SHOWN.

MATERIAL: STEEL
FINISH: M217A PER SPEC MIL-F-14072.

COLLINE PART NO.	ITD	REQD	PART NO.	DESCRIPTION	DATE	DATE SPEC
LIST OF MATERIAL						
COLLINE PART NO. <u>559 044 002</u>						

DRAWN <i>R. B. B.</i>				CHECKED <i>[Signature]</i>		APPROVED		COLLINE RADIO CO. 14214 - PH - 51-93		DEPARTMENT OF THE ARMY SIGNAL CORPS ENGINEERING LABORATORIES FORT MONMOUTH NEW JERSEY	
UNLESS OTHERWISE SPECIFIED: DECIMAL DIMENSIONS INCLUDING HOLE SIZES MAY VARY ±.005 FRACTIONAL DIMENSIONS INCLUDING HOLE SIZES MAY VARY ±1/64 MACHINED ANGLES MAY VARY ±1° SHEARED ANGLES MAY VARY ±.25° BROKEN ANGLES MAY VARY ±1° ECCENTRICITY BETWEEN ANY DIAMETERS ON THE SAME CENTERLINE SHALL NOT EXCEED .010 TOTAL INDICATOR READING. ALL DIMENSIONS ARE FINISH DIMENSIONS INCLUDING APPLIED FINISH AND ARE GIVEN IN INCHES.				SIGNAL CORPS		REVIEWED <i>PME</i>		BRACKET-CAPACITOR			
558 0363 004				SM-D-343620		APPROVED <i>HLV</i> <i>PME</i>				SM-B-249199	
NEXT ASSY				USED ON		DATE <u>2 JAN '56</u>		SCALE _____			
APPLICATION											